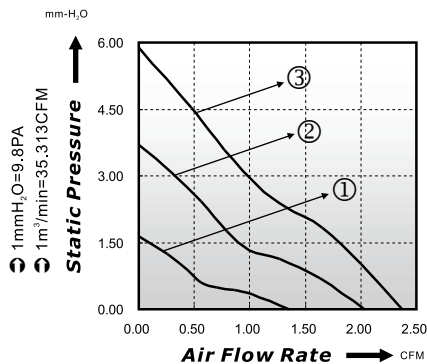


25x25x06mm

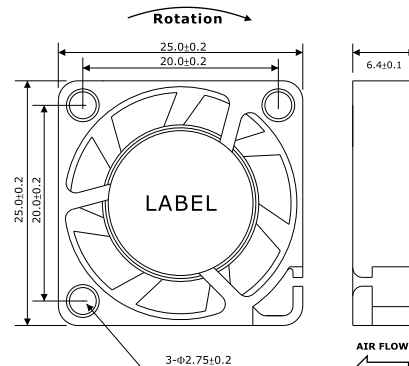


■ P-Q Curve (At Rated Voltage)



■ Dimensions Drawing

Unit: (mm)



Model No	Bearing (*)	Rated Voltage (VDC)	Rated Current (A)	Power Consumption (Watts)	Speed (rpm)	Air Flow (CFM)	Static Pressure (mmH ₂ O)	Noise (dBA)	Curve
ED02506-03L*	○ ⊖	3	0.30	0.90	8000	1.35	1.64	22.7	1
ED02506-03M*	○ ⊖	3	0.40	1.20	12000	2.03	3.69	30.1	2
ED02506-03H*	○ ⊖	3	0.50	1.50	14000	2.37	5.89	33.6	3
ED02506-05L*	○ ⊖	5	0.08	0.40	8000	1.35	1.64	22.7	1
ED02506-05M*	○ ⊖	5	0.20	1.00	12000	2.03	3.69	30.1	2
ED02506-05H*	○ ⊖	5	0.24	1.20	14000	2.37	5.89	33.6	3
ED02506-12L*	○ ⊖	12	0.09	1.08	8000	1.35	1.64	22.7	1
ED02506-12M*	○ ⊖	12	0.12	1.44	12000	2.03	3.69	30.1	2
ED02506-12H*	○ ⊖	12	0.14	1.68	14000	2.37	5.89	33.6	3

* Bearing Type: ○ Sleeve ● Two Ball ⊖ Hydro-Dynamic